

GiantScreen electrol

≤ 7 metres wide

Product features :

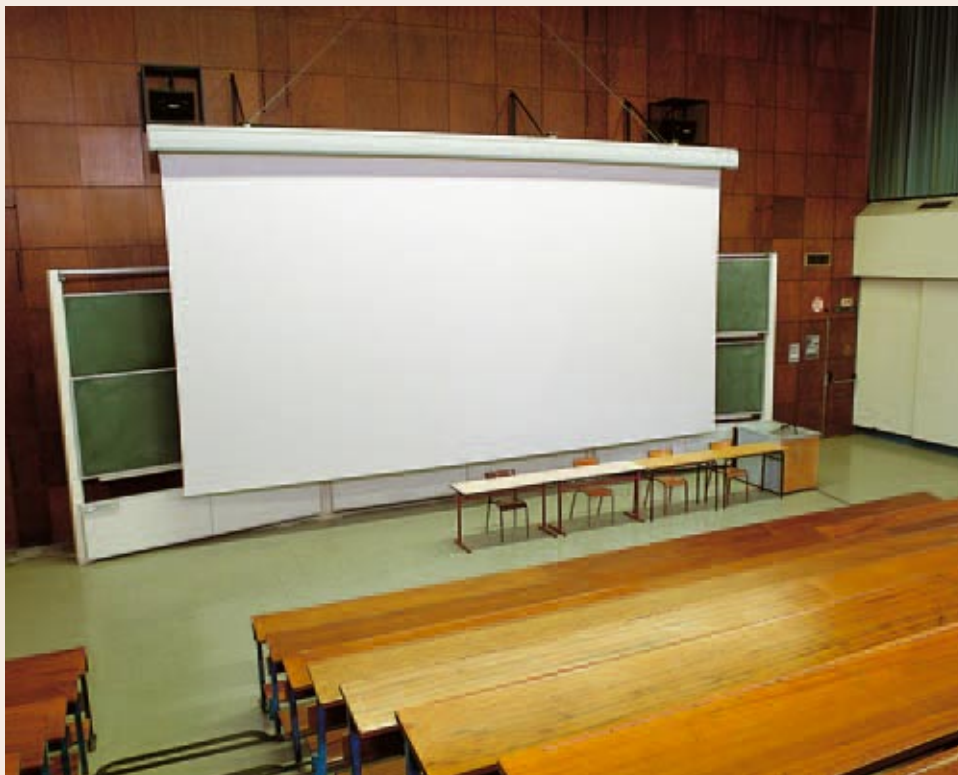
- ▶ Available in various sizes, ranging from 4.5 to 7 metres wide.
- ▶ Projection screen designed for various large applications.
- ▶ Fitted with widely-applicable Matte white P screen fabric.
- ▶ Choice of mounting on wall, ceiling or cove using flexible to position mounting brackets.
- ▶ Pre-programmed final adjustment ensures fast installation.

Technical features:

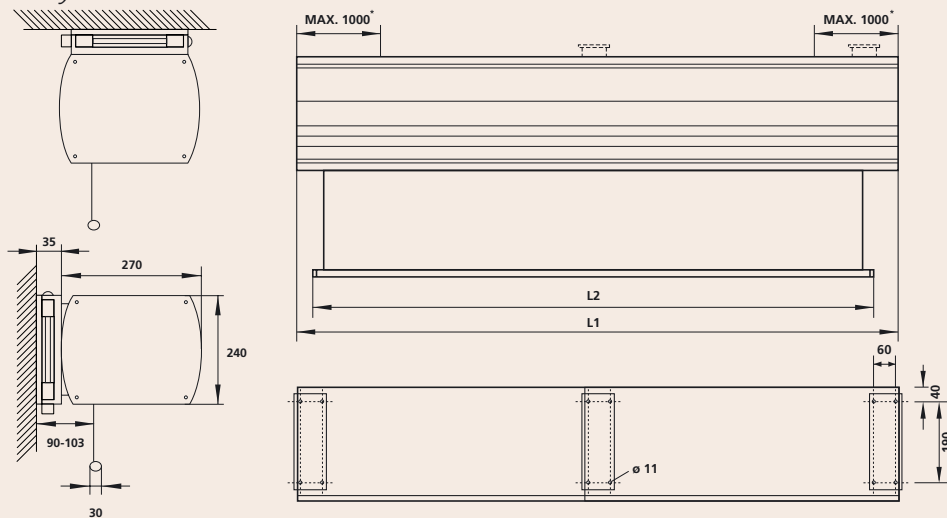
- ▶ Sturdy case made from anodised aluminium.
- ▶ Mounting brackets attached maximum 1 metre from end of case.
- ▶ Screen fabrics flame retardant according to DIN-standard 92-503, rating M1.
- ▶ Matte white P screen fabric with a broad viewing angle of 50°, a reflection value of 1.0 gain and a thickness of 0.4 mm.
- ▶ The projection screen fabric has a horizontal weld every 1.9 metres that is invisible during projection.
- ▶ Motor fitted with thermal overload cut-out and electrical brake to prevent unintended rollout **see info page 8**.
- ▶ Supplied with 10-metre connection cable and separate wall switch.
- ▶ Powerful in-roller tubular motor (5-year guarantee) fitted on right side.
- ▶ The projection screen is provided with a sturdy wooden transportation case.

Accessories:

- ▶ Wireless, high-frequency remote control with a maximum range of 30 metres. Comprising a control module, wireless switch and transmitter.
- ▶ Key-switch to prevent undesired use.



University VI Jussieu Paris – France



Screen size h x w in cm	Screen fabric Matte white P	Sizes		Kg	Watt	Nm	RPM	↓↑ sec.
		L1 cm	L2 cm					
GiantScreen electrol								
400 x 450	PBSGS 015	470	458	115	240	30	17	32
450 x 450	PBSGS 016	470	458	115	240	30	17	36
400 x 500	PBSGS 001	520	508	125	240	30	17	32
450 x 500	PBSGS 017	520	508	125	240	30	17	36
500 x 500	PBSGS 002	520	508	125	240	30	17	40
400 x 600	PBSGS 004	620	608	145	240	30	17	32
450 x 600	PBSGS 005	620	608	145	240	30	17	36
500 x 600	PBSGS 018	620	608	150	240	30	17	40
400 x 700	PBSGS 006	720	708	165	240	30	17	32
450 x 700	PBSGS 019	720	708	170	240	30	17	36
500 x 700	PBSGS 007	720	708	170	240	30	17	40

