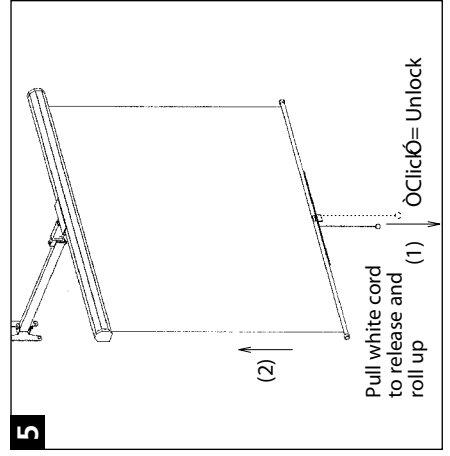
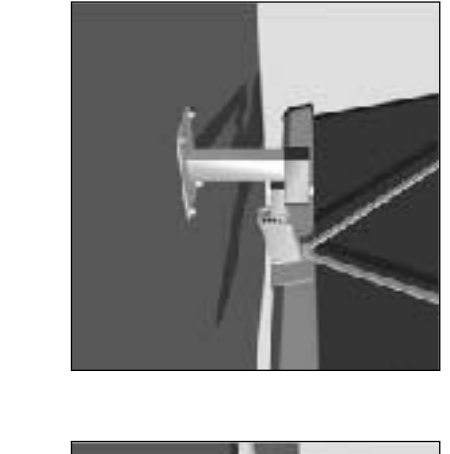
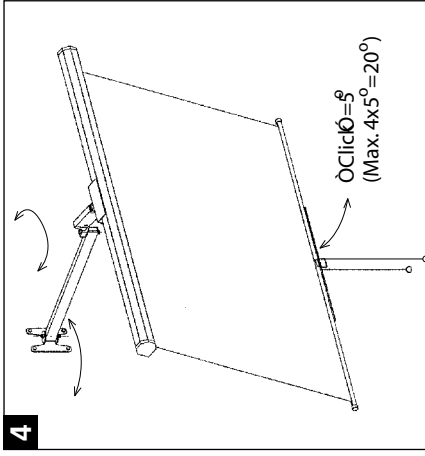
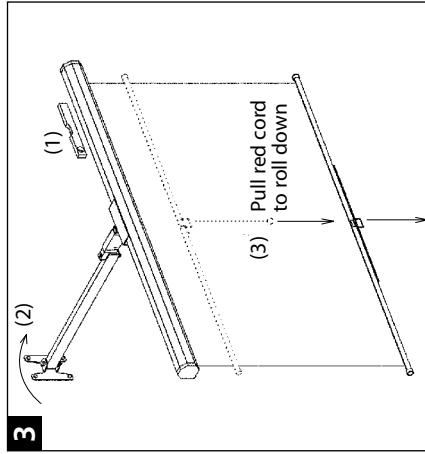
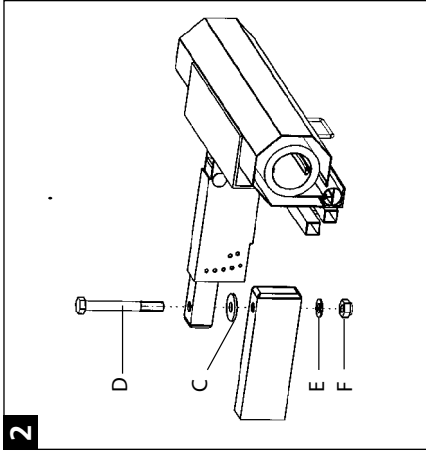
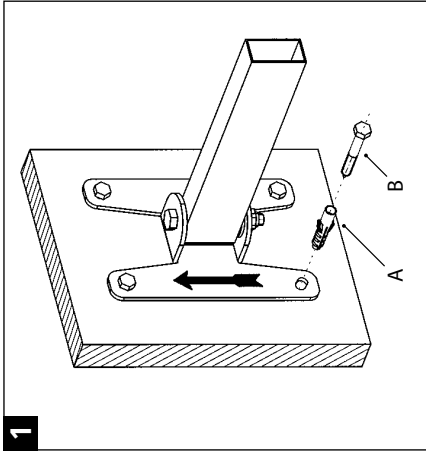


Mounting

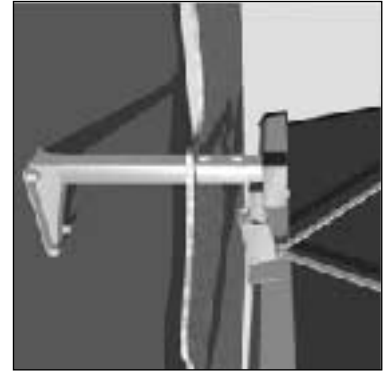
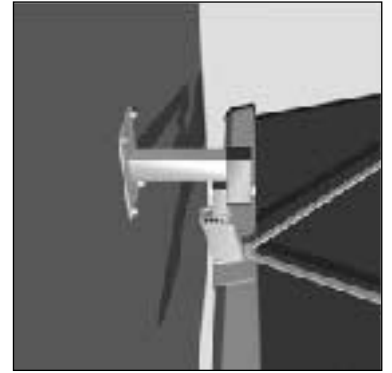


20 cm white cord to release
40 cm red cord to pull down

Screen size	Dimensions (in mm)		
	L1	L2	L3
1:1 format			
145x145cm	1520	1470	680
160x160cm	1711	1620	750
180x180cm	1911	1820	850

Mounting instruction

Accessories



Mounting Equipment

