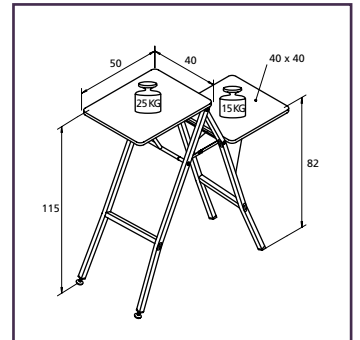




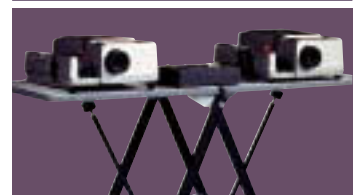
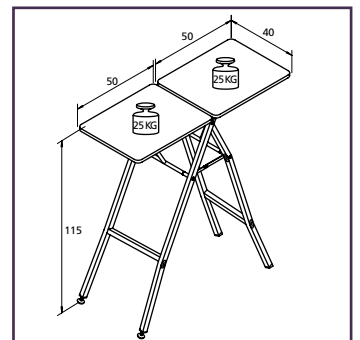
Gigant I

- ù **Stable and safe projector stand suitable for LCD and slide projectors.**
- ù **Foldable and inclinable upper shelf, foldable lower shelf.**
- ù **Shelves fitted with anti-slip surface and surrounding raised edge.**
- ù **Folds easily and compactly for transport or storage.**



Gigant II

- ù **Projector stand suitable for numerous projectors.**
- ù **Both shelves are inclinable and foldable.**
- ù **Shelves fitted with anti-slip surface and surrounding raised edge.**
- ù **Folds easily and compactly for transport or storage.**



Type	Frame	Weight
	Grey (RAL 7021)	in kg
Gigant I	PTPGI 001	10
Gigant II	PTPGI 002	11