



Product characteristics

- High quality, crank operated, projection screen.
- Crank-mechanism for easy and safe operation.
- Screen sizes from 160 cm up to 300 cm width.
- Easy mounting to wall or (in)to ceiling, with universal mounting brackets.
- Separate aluminum crank with foldable handle.
- Wide range of seamless projection screen surfaces in different qualities and with different coatings.
- Standard formats bordered on left and right, Video and HDTV format with borders all around.

Tender description

_____ projection screens, size _____(H) x _____ (W).

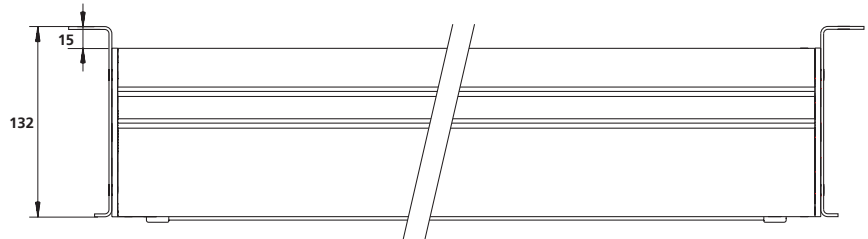
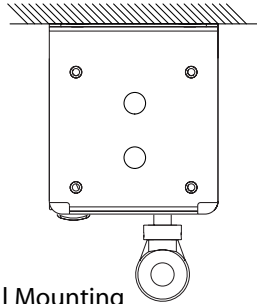
Metal crank mechanism mounted to the roller, with brake to prevent coasting, ensures safe and easy rolling up and down of the screen fabric. Complete with separate aluminum crank with foldable handle. Screens up to 220 cm height include crank of 165 cm length, screens of 240 cm and over to be with 255 cm long crank. Rigid, profiled metal roller (63 mm diameter) mounted on two vibration and noise absorbing supports. Screen fabric to be flame retardant fiberglass with Matte white, Datalux or High Power coating with black borders for increased contrast perception. Standard format up to 220 cm with 2,5 cm wide borders, other sizes 5 cm wide borders on the left and right. Video and HDTV format with 5 cm wide black borders all around. Bottom of screen fabric mounted into a triangular metal slat bar. Ends of the slat bar protected by nylon outer caps. Screen case made of 0,9 mm sheet metal, square in shape and 117 x 117 mm in size. Finished in white (RAL 9016) powdercoating. Case with nylon end caps. Universal metal brackets for ceiling or wall mounting to be attached to the case end caps. Complete with two nylon covers in light grey (RAL 7035) to cover the mounting brackets.

Accessories

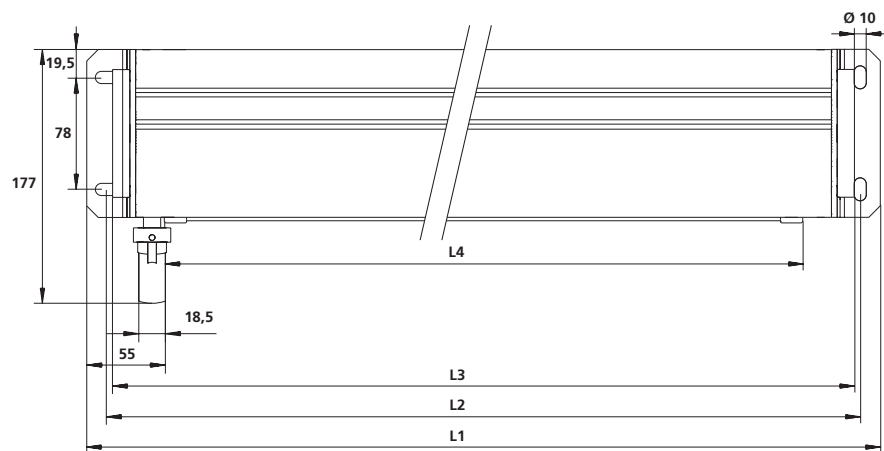
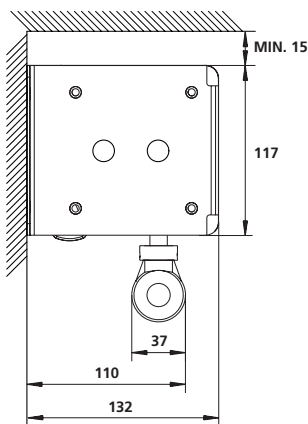
- **Set of OHP extension arms**
To position the projection screen up to 75 cm from the wall.
- **Set of ceiling brackets**
To position the projection screen under a false ceiling.
- **Set of OHP wall clamps**
Set of three wall clamps to secure the projection screen at an angle.
Prevents distortion of the image during overhead projection.

Technical drawing

Ceiling Mounting



Wall Mounting



Dimensions

Screen size	Viewing area	Nominal diagonal	Screen fabrics					Dimensions (in mm)				Nett Wt in kg*
			Matte white S	Datalux S	Matte white M	Datalux M	High Power	L1	L2	L3	L4	
1:1 format												
160x160cm	151x151cm		PSMHS 001	PSMHS 002	PSMHS 003	PSMHS 004	PSMHS 005	1727	1699	1691	1620	15
180x180cm	173x173cm		PSMHS 006	PSMHS 007	PSMHS 008	PSMHS 009	PSMHS 010	1927	1899	1891	1820	16
200x200cm	195x195cm		PSMHS 011	PSMHS 012	PSMHS 013	PSMHS 014	PSMHS 015	2147	2119	2111	2040	20
220x220cm	215x215cm		PSMHS 016	PSMHS 017	PSMHS 018	PSMHS 019		2347	2319	2311	2240	22
240x240cm	230x230cm				PSMHS 020	PSMHS 021		2547	2519	2511	2440	26
280x280cm	270x270cm				PSMHS 022	PSMHS 023		2947	2919	2911	2840	30
300x300cm	290x290cm				PSMHS 024	PSMHS 025		3147	3119	3111	3040	34
4:3 format												
138x180cm	126x168cm	213cm / 84"	PSMHV 001	PSMHV 002	PSMHV 003	PSMHV 004	PSMHV 005	1927	1899	1891	1820	16
153x200cm	143x190cm	254cm / 100"	PSMHV 006	PSMHV 007	PSMHV 008	PSMHV 009	PSMHV 010	2147	2119	2111	2040	18
183x240cm	173x230cm	305cm / 120"			PSMHV 011	PSMHV 012	PSMHV 013	2547	2519	2511	2440	23
213x280cm	203x270cm	355cm / 140"			PSMHV 014	PSMHV 015		2947	2919	2911	2840	27
228x300cm	218x290cm	380cm / 150"			PSMHV 016	PSMHV 017		3147	3119	3111	3040	30
16:9 format												
117x200cm	107x190cm	234cm / 92"			PSMHW 007	PSMHW 008		2147	2119	2111	2040	17
139x240cm	129x230cm	269cm / 106"			PSMHW 001	PSMHW 002		2547	2519	2511	2840	22
173x300cm	163x290cm	338cm / 133"			PSMHW 004	PSMHW 005		3147	3119	3111	3040	27

* = nett weights based on Matte white M or Datalux M fabric

2.2.1 Product data sheet