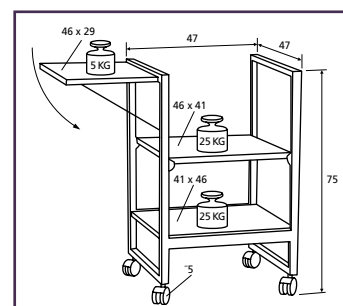




PROJECTA

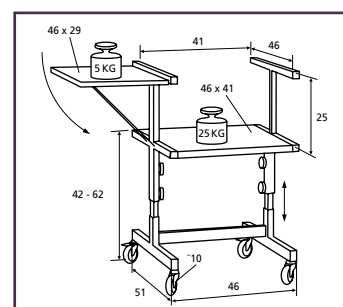
Universo

- Outstanding price/quality ratio. Suitable for all types of OHP projectors.
- Unprecedented load-bearing capacity and stability.
- Standard design with two height-adjustable shelves.



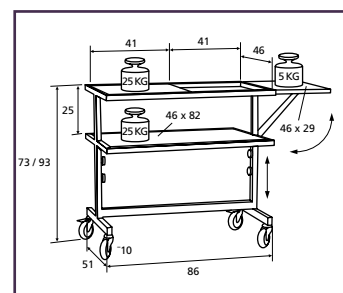
Classico

- Projecta's solution for intensive use.
- Durable construction with metal frame around shelves.
- Height-adjustable stand for an ergonomic working posture.
- Including upper shelf for portable OHP projector.



Esclusivo

- The OHP projector stand for the educational sector.
- Spacious projector stand with a lot of workspace.
- Height-adjustable stand for an ergonomic working posture.
- All-round metal frame affords optimum protection of shelves and projector.



Accessories:

- Middle shelves
- Side shelves

See page 51 for further details.

Type	1000	1500	2000	2500	Weight
Colour frame	White (RAL 9016)	White (RAL 9016)	Grey (RAL 7021)	Grey (RAL 7021)	in kg
Colour shelves	Grey	Grey	Beech	Beech	
Castors \varnothing	50 mm	100 mm	50 mm	100 mm	
Universo	PTOUN 002		PTOUN 004		11
Classico		PTOOH 008		PTOOH 010	15
Esclusivo		PTOOH 014		PTOOH 016	19