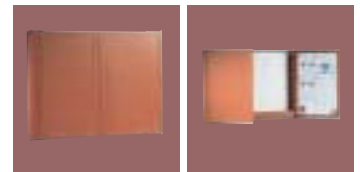
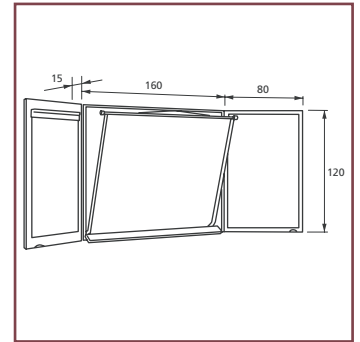




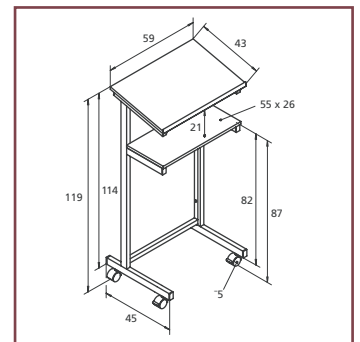
Presentation cabinet

- Middle board and inner doors made with high-quality enamelled steel; suitable for writing on, magnetic and dry erasable.
- Magnetic flip-chart clamp, easily attached to inner side.
- Projection screen (145x145cm) finely integrated into the cabinet.
- The projection screen has an adjustable incline angle, thanks to an overhead bracket.



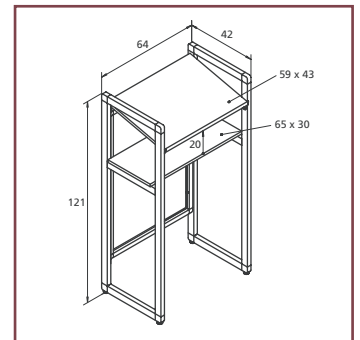
Classic lectern

- Timeless, practical lectern.
- Closed, solid front allows you to affix your organisation's name or logo.
- Supplied with adjustable feet and swivelling wheels for optimal use.
- Dark-grey (RAL 7021) frame with beech shelves or white (RAL 9016) frame with light-grey shelves (RAL 7035).



Meeting lectern

- Solid lectern with perforated front.
- Features adjustable feet for maximum stability.
- Dark-grey (RAL 7021) frame with light-grey or beech shelves.



Accessories for presentation cabinet

- ü Mobile carriage
- ¥for increased deployability
- ¥in height adjustable
- ¥large wheels, two with brakes

Type	/W White frame Light-grey shelves	/B Dark-grey frame Beech shelves	/G Dark-grey frame Light-grey shelves	Weight in kg
Classic	PPLLE 001	PPLLE 006		17
Meeting		PPLLE 005	PPLLE 004	22
Type	beech-decor		light grey	in kg
Executive		PPCPC 006		70
Business plus			PPCPC 008	70

See page 51 for further details.