

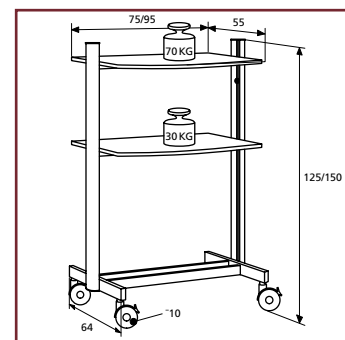


PROJECTA

HiLine



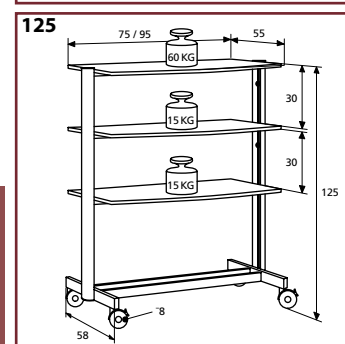
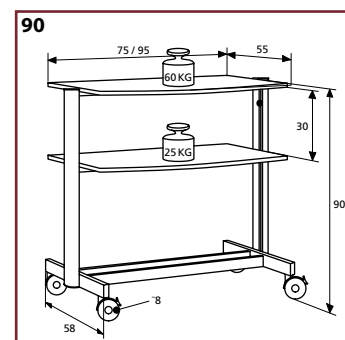
- ù The height of both shelves can be adjusted independently (increments of 11 cm).
- ù Can be optimally coordinated with application and equipment.
- ù Available in two heights, 125 cm or 150 cm.
- ù Beautiful 13.5 cm wide anodized aluminum side sections.
- ù Robust wheels (ø 10 cm) for optimum maneuverability.



ProLine



- ù Stylish trolley with fixed shelves.
- ù ProLine 90 with two fixed shelves, monitor shelf at a height of 90 cm.
- ù ProLine 125 with three fixed shelves, monitor shelf at a height of 125 cm.
- ù Modern 10 cm wide anodized aluminum side sections.
- ù Robust wheels (ø 8 cm) for optimum maneuverability.



Accessories:

- ù Extra shelf to increase HiLine's arrangement options
- ù Separately lockable video recorder compartment
- ù Socket for central connection of all equipment

See page 51 for further details.

Type	Decor		Weight in kg
	Light-grey	Beech	
HiLine			
125	PVTHI 001+PAVKO 005	PVTHI 002+PAVKO 005	29
150	PVTHI 001+PAVKO 006	PVTHI 002+PAVKO 006	30
125 XT	PVTHI 003+PAVKO 005	PVTHI 004+PAVKO 005	33
150 XT	PVTHI 003+PAVKO 006	PVTHI 004+PAVKO 006	34
ProLine			
90	PVTPR 001+PAVKO 003	PVTPR 002+PAVKO 003	25
125	PVTPR 005+PAVKO 004	PVTPR 006+PAVKO 004	33
90 XT	PVTPR 003+PAVKO 003	PVTPR 004+PAVKO 003	28
125 XT	PVTPR 007+PAVKO 004	PVTPR 008+PAVKO 004	36