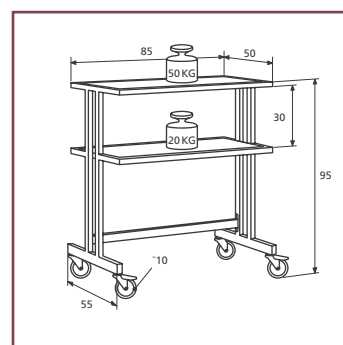




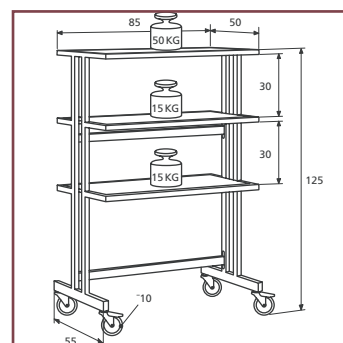
## ClassicLine 95

- Basic model multimedia trolley.
- ClassicLine 95 with two fixed shelves, monitor shelf at a height of 90 cm.



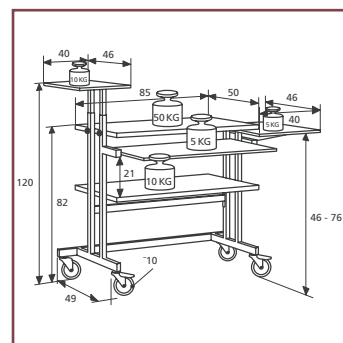
## ClassicLine 125

- ClassicLine 125 with three fixed shelves, monitor shelf at a height of 125 cm.
- Robust wheels (ø 10 cm) for optimum maneuverability.



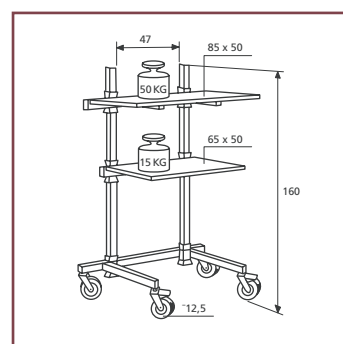
## ClassicLine MMT

- Versatile trolley, can also be used as work station.
- Two height-adjustable side shelves for OHP and video projector.
- Extendable keyboard shelf.
- Robust wheels (ø 10 cm) for optimum maneuverability.



## ClassicLine DVT

- Designed for intensive use.
- Fitted with two height-adjustable shelves.
- Maximum height of upper shelf 160 cm.
- Robust wheels (ø 12.5 cm) for optimum maneuverability.



### Accessories:

- Separately lockable video recorder compartment (only for DVT)
- Socket for central connection of all equipment



Type	Decor		Weight in kg
	Light-grey	Beech	
<b>ClassicLine</b>			
<b>95</b>	PVTCL 001	PVTCL 002	20
<b>125</b>	PVTCL 003	PVTCL 004	28
<b>MMT</b>	PVTCL 005	PVTCL 006	32
<b>DVT 160</b>	PVTDV 001+PAVKO 002		31