



## Product characteristics

- Spring roller projection screen.
- 63 mm spring mechanism ensures easy and operation.
- Screen sizes from 160 cm up to 280 cm width.
- Easy mounting to wall or ceiling, with mounting facility integrated into the end caps.
- Fiberglass seamless projection screen fabrics with Matte white, Datalux or High Power surface.
- Standard format bordered on left and right, video and HDTV format with borders all around.

## Tender description

\_\_\_\_\_ projection screens, size \_\_\_\_\_ (H) x \_\_\_\_\_ (W).

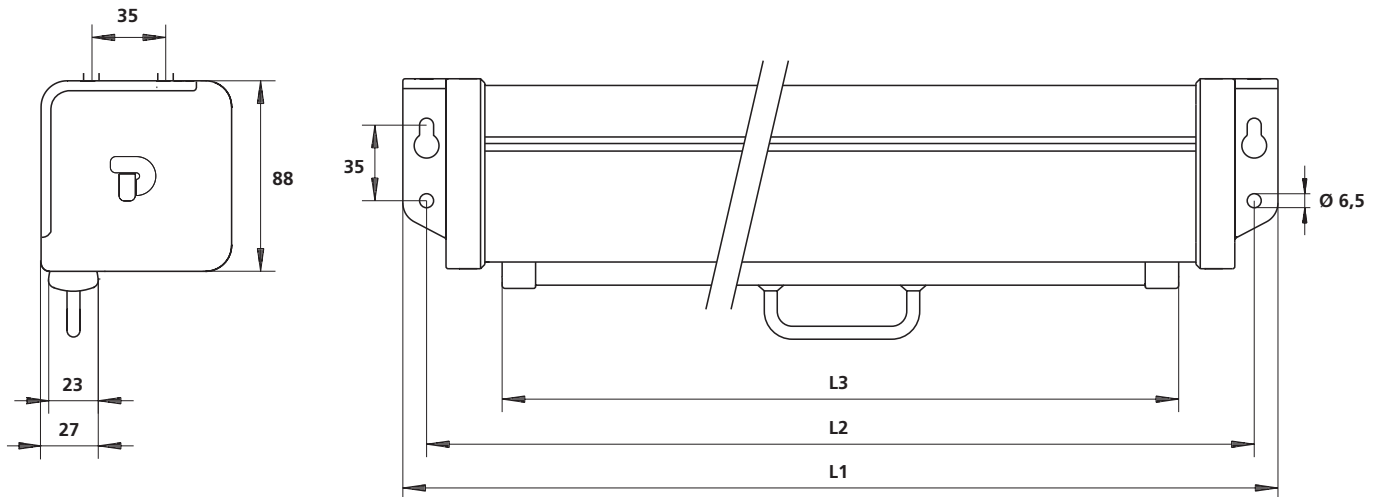
In-roller spring mechanism (2,25 mm wire thickness). Rigid metal roller (63 mm diameter) mounted on two vibration and noise absorbing supports. Screen fabric to be flame retardant fiberglass with Matte white, Datalux or High Power surface, standard with black borders for increased contrast perception. Standard format with 2,5 cm wide borders on left and right, video and HDTV format with 5 cm wide borders all around. Bottom of screen fabric mounted into a triangular metal slat bar. Ends of the slat bar protected by nylon outer caps. Nylon slat pull attached to slat bar. Screen case made of 0,9 mm sheet metal, square in shape and 82 x 82 mm in size. Finished in white (RAL 9016) powdercoating. Case with sturdy nylon end caps (88 x 88 mm) with 4 screw holes, two of which are slotted, for wall or ceiling installation. To be complete with 80 cm pull cord.

## Accessories

- **Set of OHP extension arms**  
To position the projection screen up to 75 cm from the wall.
- **Set of ceiling brackets**  
To position the projection screen under a false ceiling.
- **Set of OHP wall clamps**  
Set of three wall clamps to secure the projection screen at an angle.  
Prevents distortion of the image during overhead projection.
- **Pull rod**  
Usefull aid for unrolling the projection surface.



## Technical drawing



## Dimensions

Screen size	Viewing area	Nominal diagonal	Screen fabrics			Dimensions (in mm)			Nett weight in kg
			Matte white S	Datalux S	High Power	L1	L2	L3	
<b>1:1 format</b>									
160x160cm	151x151cm		PSWAW 001	PSWAW 026	PSWAW 011	1711	1689	1620	10
180x180cm	173x173cm		PSWAW 002	PSWAW 027	PSWAW 013	1911	1889	1820	12
200x200cm	195x195cm		PSWAW 004	PSWAW 028	PSWAW 015	2131	2109	2040	14
240x240cm	235x235cm		PSWAW 006	PSWAW 033		2531	2509	2440	17
<b>4:3 format</b>									
138x180cm	126x168cm	213cm / 84"	PSWAW 016	PSWAW 030	PSWAW 018	1911	1889	1820	11
153x200cm	143x190cm	254cm / 100"	PSWAW 008	PSWAW 031	PSWAW 020	2131	2109	2040	13
183x240cm	173x230cm	305cm / 120"	PSWAW 009	PSWAW 032	PSWAW 022	2531	2509	2440	16
213x280cm	203x270cm	355cm / 140"	PSWAW 005	PSWAW 034		2931	2909	2840	19
<b>16:9 format</b>									
117x200cm	107x190cm	234cm / 92"	PSWAW 035	PSWAW 036		2131	2109	2040	12
139x240cm	129x230cm	269cm / 106"	PSWAW 023	PSWAW 029		2531	2509	2440	15