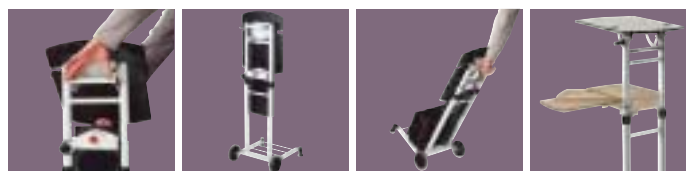
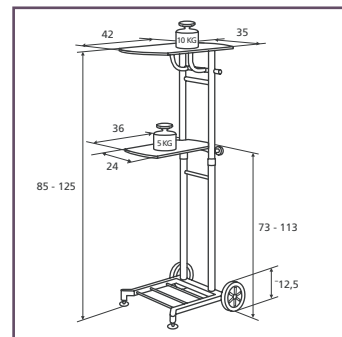




PROJECTA

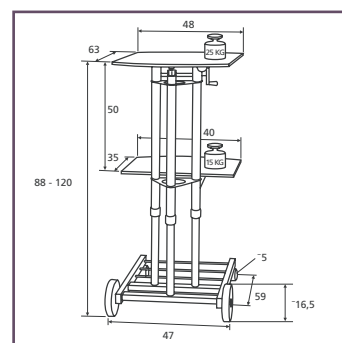
StandMaster I

- ù Especially designed for portable projectors.
- ù Fitted with two folding shelves for projector and notebook.
- ù Safe and continuous variable height adjustment thanks to a built-in pneumatic spring.
- ù Rotatable and height-adjustable lower shelf for notebook.
- ù Fitted with large wheels for optimum mobility.
- ù Also suitable as trolley.
- ù Elegant design.



StandMaster II

- ù Robust projector stand for larger LCD projectors.
- ù Fitted with large front wheels and swivelling rear wheels for optimum maneuverability.
- ù Spacious upper shelf inclinable to 15°.
- ù Continuous variable height adjustment thanks to crank mechanism.
- ù Spacious, detachable, movable lower shelf for notebook or video recorder.



Type	Frame		Weight in kg
	A Grey (RAL 7021)	B White (RAL 9016)	
StandMaster I	PTPSM 001	PTPSM 002	13
StandMaster II	PTPSM 003	PTPSM 004	23