

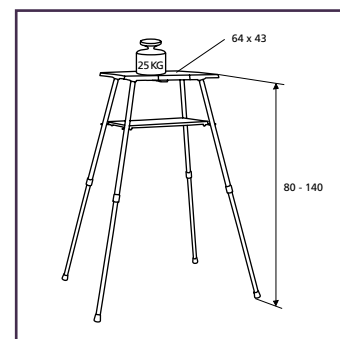


**PROJECTAI**

## TeleMaster



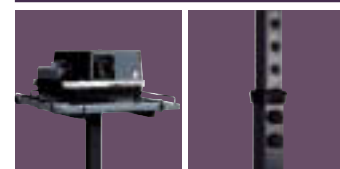
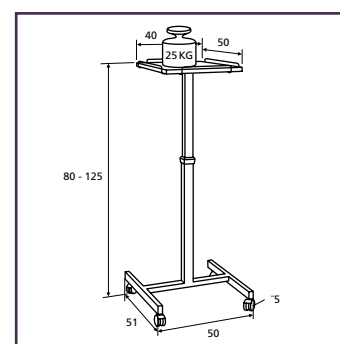
- Lightweight LCD projector stand designed for mobile use.
- Large synthetic projector shelf fitted with handle.
- Removable legs can be fastened to underside of shelf for transport.
- Telescopic legs guarantee optimum stability.
- Continuous variable height adjustment and inclinable.



## Solo 8000



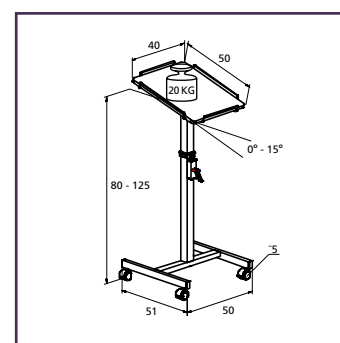
- Basic model projector stand.
- Fixed upper shelf with rail to protect the projector.
- Height-adjustable with quick lock feature.
- Fitted with 4 swivelling wheels for optimum mobility.



## Solo 9000



- Functional projector stand for all types of projectors.
- Inclinable upper shelf with rail to protect the projector.
- Easy and continuous variable height adjustment.
- Fitted with 4 swivelling wheels for optimum mobility.



### TeleMaster accessories:

- Extra lower shelf

See page 51 for further details.

Type	Frame		Weight in kg
	Grey (RAL 7021)	Aluminum	
TeleMaster		PBTDL 001	6
Solo 8000	PTPPH 001		11
Solo 9000	PTPPH 002		11